

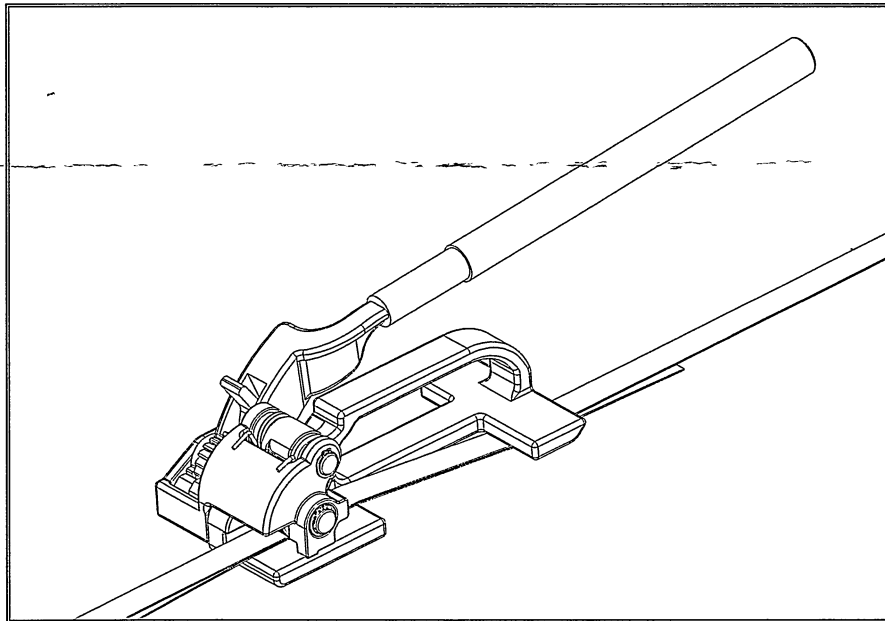
MIP-1400 OPERATING INSTRUCTIONS

OPERATING INSTRUCTIONS:

1. Pull the loose end of the strap all the way around the package and bring it under the other end of the strapping. Be sure to keep the strap snug about the package and squarely in line.
2. Holding the strap in place with the left hand, take the tool in the right hand and squeeze the handle (Key #3) down to the base (Key #9). Slide the tool under the strap such that strap passes between the feedwheel and clutch plug (Key #1 and #7). Be sure that the strap is up against the inner edge of the tool, that the back foot of the base is on top of the strap, and that the loose end of strap is still on the bottom and facing the back of the tool. (See illustration.)
3. With the edges of the strap aligned with the inside edge of the MIP-1400, tension the strapping by moving the handle back and forth.

WARNING: While tensioning, be sure NOT to bring the handle all the way back down to the base. Doing so will cause the feedwheel to rise and release the tensioned strap.

4. Snap a seal over both pieces of strapping directly in front of the tensioner and crimp with an appropriate steel strap sealer, according to sealer manufacturer's instructions.
5. With the seal securely in place, press the handle pawl (Key #2) with the right thumb, and use the right hand to squeeze the handle down the base, raising the feedwheel. In this position, remove the MIP-1400 by sliding the back foot out to the side, followed by the front.
6. Using approved strap cutters, cut the excess strap as close to the seal as possible.



SAFETY WARNINGS:

- Before operating the tool, review the enclosed MIP, Inc. General Hand Tools and Strapping Safety booklet. Only trained personnel should operate MIP, Inc. hand tools.
- Keep fingers away from areas that can pinch or cut. These areas are primarily located at the front of the tool.
- Dangerous breakage may occur due to excessive tensioning, possibly resulting in severe injury or death. Tension strap in moderation.
- Only use equipment recommended for the strap. The MIP-1400 is recommended only for 3/4" x .025 through 1-1/4" x .031 steel strap.
- Review the instructions and safety material on a regular basis.
- Unsafe conduct may result in blindness, severe laceration, amputation, or death.

MIP - 1400 HEAVY DUTY STEEL STRAP TENSIONER

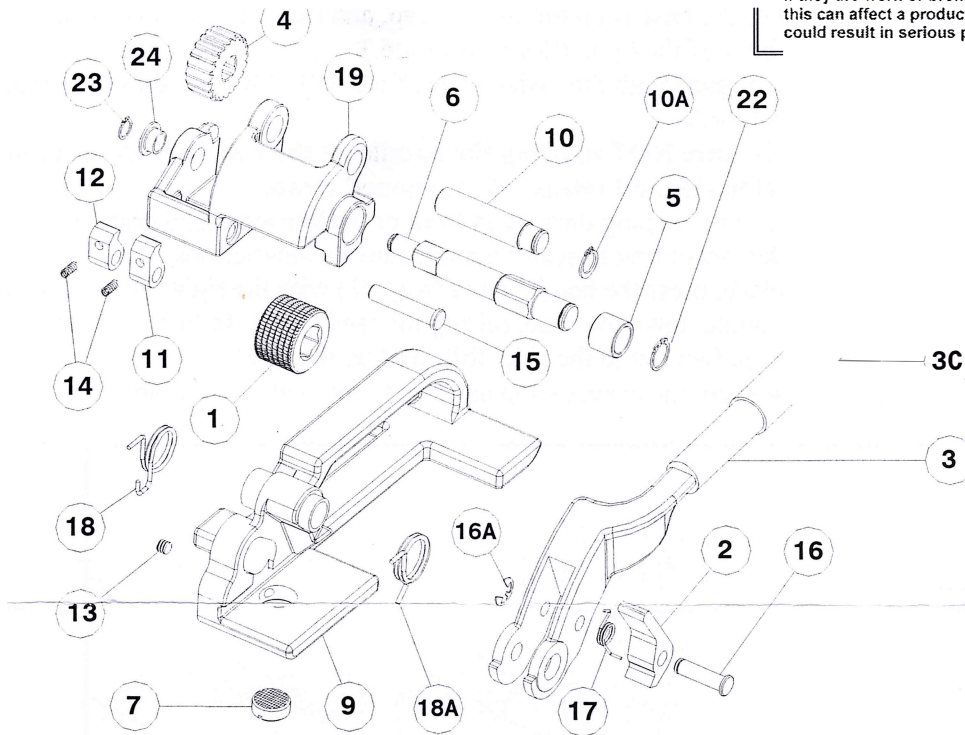
Attention:

1. Read all Operating & Safety instructions..
2. Key wear parts are underlined.

** Parts required on MIP Only.

⚠WARNING

Inspect all parts daily and replace them if they are worn or broken. Failure to do this can affect a product's operation and could result in serious personal injury.



Key	Qty.	Part No.	Description	Key	Qty.	Part No.	Description
1		M1400-1	Feedwheel	13	1	M1400-13	Clutch Plug Set Screw
2		M1400-2	Handle Pawl	14	2	M1400-14	Pawl Spring
3		M1400-3	Handle	15	1	M1400-15	Holding Pawl Pin
3C		M1400-3C	Handle Grip	16	1	M1400-16	Handle Pawl Pin
4		M1400-4	Ratchet Gear	16A	1	M1400-16	Retaining Pin
5		M1400-5	Bushing	17	1	M1400-17	Handle Pawl Pin
6		M1400-6	Tension Shaft	18	1	M1400-18	Right Support Spring
7		M1400-7	Clutch Plug	18A	1	M1400-18A	Left Support Spring
9		M1400-9	Base	19	1	M1400-19	Support Frame
10		M1400-10	Support Pin	22	1	M1400-22	Retaining Ring - Large
10A		M1400-10A	Retaining Ring	23		M1400-23	Retaining Ring - Small
11		M1400-11	Long Pawl	24		M1400-24	Flanged Bearing
12		M1400-12	Short Pawl				



866.472.6872